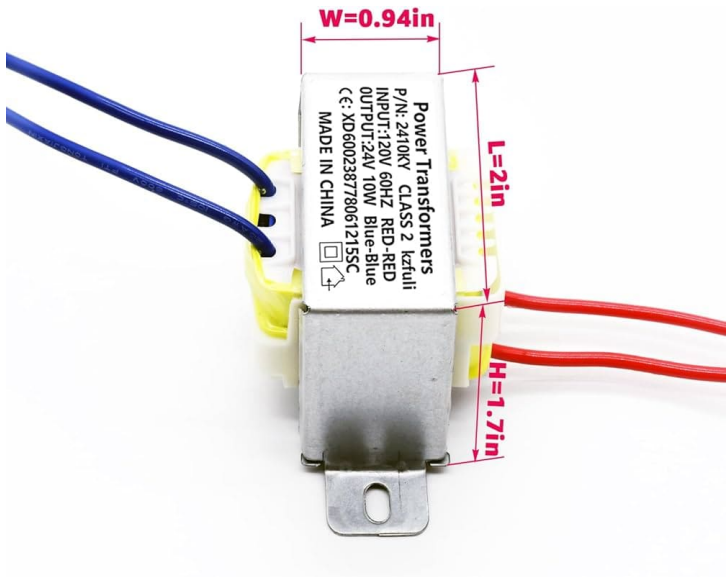


# PRODUCT CATALOGUE

TRANSFORMER 10502-100028 24AC		Specifications	
	Category	All	
	Sale Price	\$ 4,20	
	Internal Reference	10502-10002824AC	
	Description		